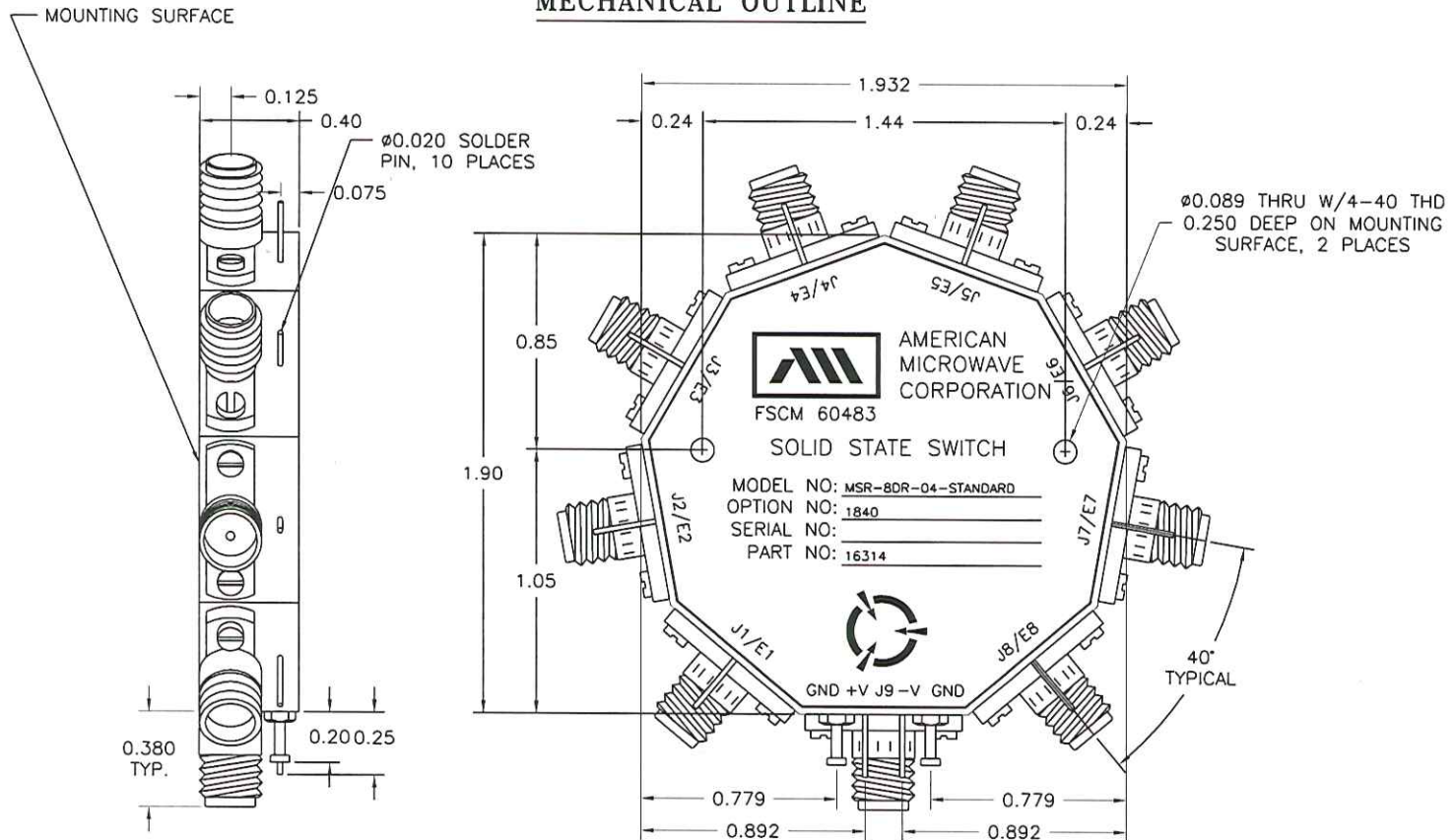


DESCRIPTION

AMC MODEL NO.: MSR-8DR-04-STANDARD OPTION 1840 IS A BROADBAND SP8T REFLECTIVE SP8T PIN DIODE SWITCH DESIGNED FOR THE 18 TO 40 GHz FREQUENCY RANGE.

REVISIONS				
ZONE	REV.	DESCRIPTION	DATE	APPROVED
-	-	SEE ECR 07-047	04/27/07	<i>[Signature]</i>

MECHANICAL OUTLINE



AMERICAN MICROWAVE CORPORATION

7311-G GROVE ROAD
 FREDERICK, MARYLAND 21704 USA
 TEL: 301-662-4700 FAX: 301-662-4938
 WEBSITE: www.americanmicrowavecorp.com
 E-MAIL: sales@americanmicrowavecorp.com
 ISO 9001:2000 CERTIFIED



ALL DIMENSIONS ARE IN INCHES
 TOLERANCES:
 X.XX ±0.020
 X.XXX ±0.010

APPROVALS		DATE	TITLE			REV.
DRAWN	<i>W3CP</i>	04/27/07	MECHANICAL OUTLINE MSR-8DR-04-STANDARD OPTION: 1840 SP8T REFLECTIVE PIN DIODE SWITCH			-
CHECKED	<i>[Signature]</i>	5/30/07	SIZE	FSCM NO.	DWG NO.	REV.
ISSUED	<i>[Signature]</i>	5/30/07	A	60483	100-M002-000	-
			SCALE	N:S	SHEET	2 OF 4

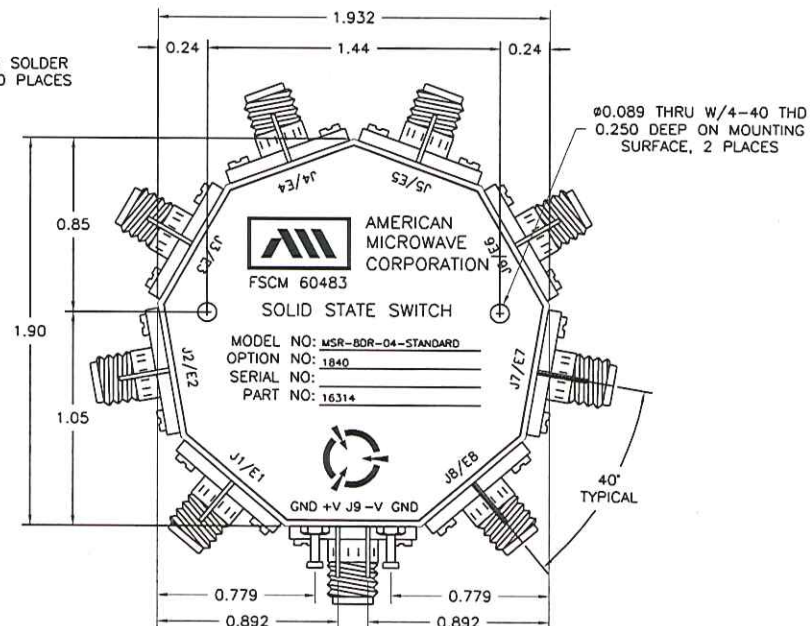
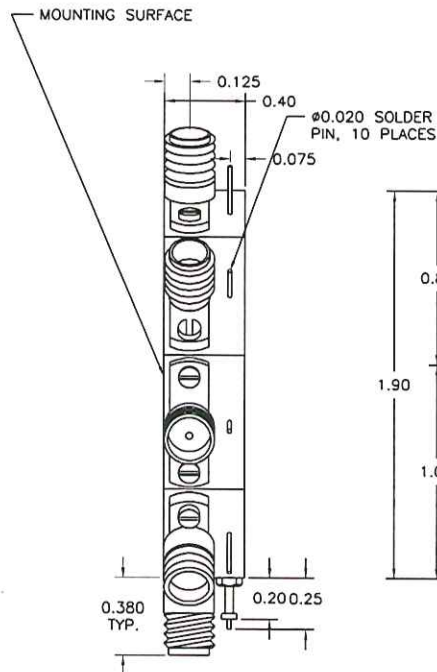
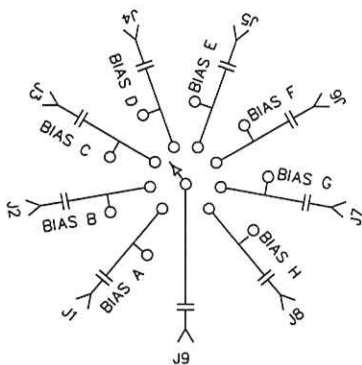
DESCRIPTION

AMC MODEL NO.: MSR-8DR-04-STANDARD OPTION 1840 IS A BROADBAND SP8T REFLECTIVE SP8T PIN DIODE SWITCH DESIGNED FOR THE 18 TO 40 GHz FREQUENCY RANGE.

SPECIFICATIONS

- FREQUENCY RANGE: 18 - 40 GHz
- INSERTION LOSS: 6 dB MAXIMUM
- RF POWER: +10 dBm MAXIMUM
- SWITCHING TIME: 150 nS MAXIMUM
- ISOLATION: 50 dB GOAL
40 dB TYPICAL
30 dB MINIMUM
- CONTROL: UN-ENCODED TTL PINS
- RF CONNECTORS: 2.9 mm FEMALE
- POWER SUPPLY: +5V @ 400 mA MAXIMUM
-5V @ 75 mA MAXIMUM

BLOCK DIAGRAM



REVISIONS				
ZONE	REV.	DESCRIPTION	DATE	APPROVED
	-	SEE ECR 07-047	04/27/07	<i>[Signature]</i>

ENVIRONMENTAL RATINGS:

- TEMPERATURE: -55°C TO +85°C (OPERATING)
-65°C TO +125°C (STORAGE)
- HUMIDITY: MIL-STD-202G, METHOD 103B COND. B
- SHOCK: MIL-STD-202G, METHOD 213B COND. B
- VIBRATION: MIL-STD-202G, METHOD 204D COND. B
- ALTITUDE: MIL-STD-202G, METHOD 105C COND. B
- TEMPERATURE CYCLE: MIL-STD-202G, METHOD 107D COND. A

NOTE: SPECIFICATIONS WILL VARY OVER OPERATING TEMPERATURE
NOTE: THE ABOVE SPECIFICATIONS ARE SUBJECT TO CHANGE OR REVISION

ALL DIMENSIONS ARE IN INCHES
TOLERANCES:
X.XX ±0.020
X.XXX ±0.010

AMERICAN MICROWAVE CORPORATION

7311-G GROVE ROAD
FREDERICK, MARYLAND 21704 USA
TEL: 301-662-4700 FAX: 301-662-4938
WEBSITE: www.americammicrowavecorp.com
E-MAIL: sales@americammicrowavecorp.com
ISO 9001:2000 CERTIFIED



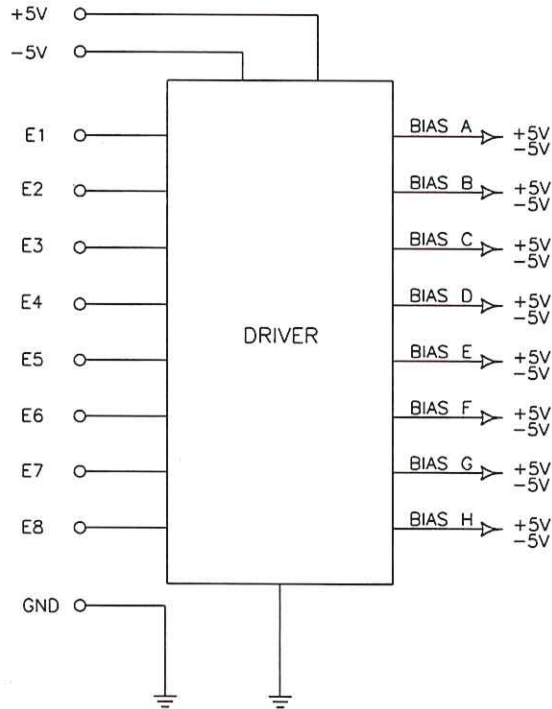
APPROVALS		DATE	TITLE			
DRAWN <i>W3EJ</i>		04/27/07	PRODUCT FEATURE MSR-8DR-04-STANDARD OPTION: 1840 SP8T REFLECTIVE PIN DIODE SWITCH			
CHECKED <i>[Signature]</i>	<i>[Signature]</i>	06/01/07	SIZE	FSCM NO.	DWG NO.	REV.
ISSUED <i>[Signature]</i>	<i>[Signature]</i>	5/30/07	A	60483	100-M002-000	-
			SCALE N:S			SHEET 1 OF 4

DESCRIPTION

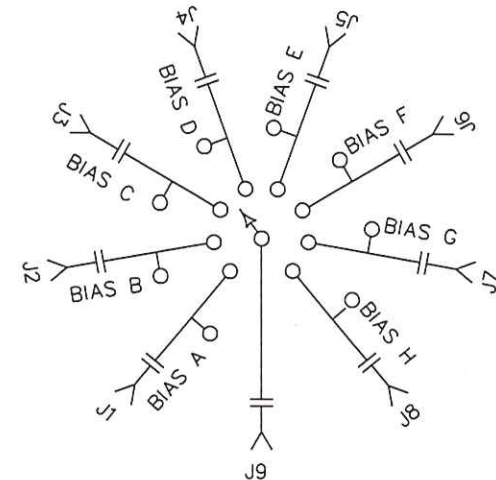
AMC MODEL NO.: MSR-8DR-04-STANDARD OPTION 1840 IS A BROADBAND SP8T REFLECTIVE SP8T PIN DIODE SWITCH DESIGNED FOR THE 18 TO 40 GHz FREQUENCY RANGE.

REVISIONS				
ZONE	REV.	DESCRIPTION	DATE	APPROVED
	-	SEE ECR 07-047	04/27/07	<i>CA</i>

FUNCTIONAL BLOCK DIAGRAM



BLOCK DIAGRAM



CONFIDENTIAL AND PROPRIETARY

AMERICAN MICROWAVE CORPORATION

7311-G GROVE ROAD
 FREDERICK, MARYLAND 21704 USA
 TEL: 301-662-4700 FAX: 301-662-4938
 WEBSITE: www.americanmicrowavecorp.com
 E-MAIL: sales@americanmicrowavecorp.com
 ISO 9001:2000 CERTIFIED



APPROVALS		DATE	TITLE			
DRAWN <i>WJCS</i>		04/27/07	FUNCTIONAL BLOCK DIAGRAM MSR-8DR-04-STANDARD OPTION: 1840 SP8T REFLECTIVE PIN DIODE SWITCH			
CHECKED <i>AK</i>	<i>5/30/07</i>		SIZE	FSCM NO.	DWG NO.	REV.
ISSUED <i>AS</i>	<i>5/31/07</i>		A	60483	100-M002-000	-
SCALE N:S			SHEET 3 OF 4			